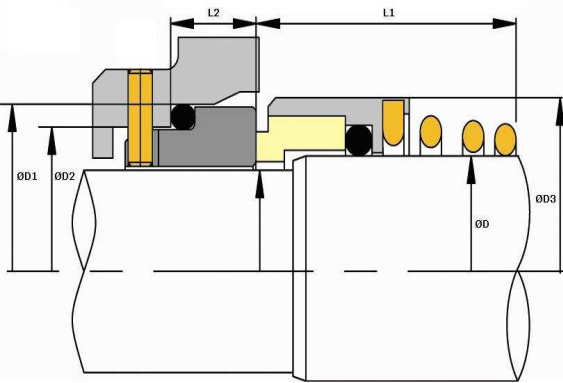




Type 82



VULCAN STANDARD SIZES



Metric Size D	Size Code	Seat Size Code	D1	D2	D3	L1	L2	L TOTAL	SLOT WIDTH	SLOT DEPTH
14	0140	0100	21.00	17.00	23.00	25.50	10.00	35.50	4.00	5.00
16	0160	0120	23.00	19.00	26.00	26.50	10.00	36.50	4.00	5.00
18	0180	0140	25.00	21.00	29.00	29.50	10.00	39.50	4.00	5.00
20	0200	0160	27.00	23.00	31.00	31.00	10.00	41.00	4.00	5.00
22	0220	0180	33.00	27.00	33.00	32.50	11.50	44.00	4.00	5.50
24	0240	0200	35.00	29.00	35.00	32.50	11.50	44.00	4.00	5.50
26	0260	0220	37.00	31.00	36.00	32.50	11.50	44.00	4.00	5.50
28	0280	0240	39.00	33.00	40.00	32.50	11.50	44.00	4.00	5.50
30	0300	0250	40.00	34.00	43.00	33.50	11.50	45.00	4.00	5.50
33	0330	0280	43.00	37.00	46.00	35.50	11.50	47.00	4.00	5.50
35	0350	0300	45.00	39.00	49.00	35.50	11.50	47.00	4.00	5.50
38	0380	0330	48.00	42.00	53.00	39.50	11.50	51.00	4.00	5.50
40	0400	0350	50.00	44.00	56.00	43.50	11.50	55.00	4.00	5.50
43	0430	0380	56.00	49.00	59.00	46.00	14.00	60.00	4.00	5.50
45	0450	0400	58.00	51.00	61.00	48.00	14.00	62.00	4.00	5.50
48	0480	0430	61.00	54.00	64.00	51.00	14.00	65.00	5.00	5.50
50	0500	0450	63.00	56.00	66.00	55.00	14.00	69.00	5.00	5.50
53	0530	0480	66.00	59.00	69.00	55.00	14.00	69.00	5.00	5.50
55	0550	0500	70.00	62.00	71.00	58.00	15.00	73.00	5.00	5.50
58	0580	0530	73.00	65.00	76.00	60.00	15.00	75.00	5.00	5.50
60	0600	0550	75.00	67.00	78.00	60.00	15.00	75.00	5.00	5.50
63	0630	0580	78.00	70.00	81.00	60.00	15.00	75.00	5.00	5.50
65	0650	0600	80.00	72.00	84.00	60.00	15.00	75.00	5.00	5.50
68	0680	0630	83.00	75.00	88.00	60.00	15.00	75.00	5.00	5.50
70	0700	0650	85.00	77.00	90.00	61.00	15.00	76.00	5.00	5.50
75	0750	0700	92.00	83.00	98.00	63.00	18.00	81.00	5.00	5.50
80	0800	0750	97.00	88.00	100.00	68.00	18.00	86.00	5.00	5.50
85	0850	0800	105.00	98.00	107.50	68.00	18.00	86.00	5.00	5.50

Metric shaft size, conical spring, step balanced 'O'-ring mounted rotary with 'O'-ring mounted seat, with anti-rotation pin provision.

Especially suited for medium and heavy pump duties.

STANDARD FACE MATERIALS

Rotary Face: Carbon, Antimony-impregnated Carbon, RB Silicon Carbide.

Seat Ring: Ceramic, Q1 Silicon Carbide, Q2 Silicon Carbide, Tungsten Carbide.

Suggested Operating Limits

Pressure 200psi Speed 20m/s
Temperature -40 to +180°C
Limits are dependant upon shaft size, shaft speed, temperature, and media to be sealed.