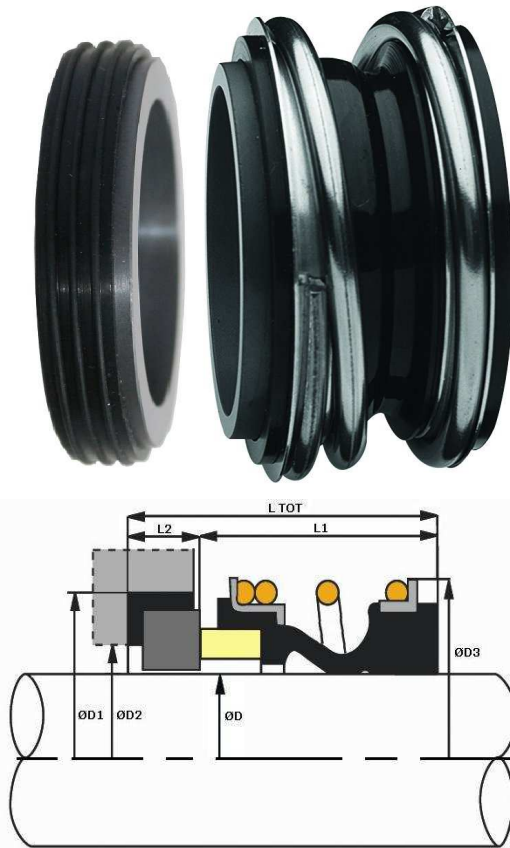




Type 19T4

VULCAN STANDARD SIZES



Metric Size D	Size Code	D1	D2	D3	L1	L2	L TOT
10	0100	21.00	17.00	20.00	14.50	8.60	23.10
12	0120	23.00	19.00	23.20	15.00	8.60	23.60
14	0140	25.00	21.00	27.10	17.00	8.60	25.60
15	0150	27.00	23.00	28.00	17.00	8.60	25.60
16	0160	27.00	23.00	27.10	17.00	10.00	27.00
18	0180	33.00	27.00	31.00	19.50	10.00	29.50
20	0200	35.00	29.00	36.00	21.50	10.00	31.50
22	0220	37.00	31.00	36.00	21.50	10.00	31.50
24	0240	39.00	33.00	40.50	22.50	10.00	32.50
25	0250	40.00	34.00	41.00	23.00	10.00	33.00
28	0280	43.00	37.00	47.00	26.50	10.00	36.50
30	0300	45.00	39.00	47.00	26.50	10.00	36.50
32	0320	48.00	42.00	51.00	27.50	10.00	37.50
33	0330	48.00	42.00	51.00	27.50	10.00	37.50
35	0350	50.00	44.00	55.00	28.50	10.00	38.50
38	0380	56.00	49.00	57.30	30.00	11.00	41.00
40	0400	58.00	51.00	60.00	30.00	11.00	41.00
43	0430	61.00	54.00	62.20	30.00	11.00	41.00
45	0450	63.00	56.00	64.30	30.00	11.00	41.00
48	0480	66.00	59.00	69.00	30.50	11.00	41.50
50	0500	70.00	62.00	70.20	30.50	13.00	43.50
53	0530	73.00	65.00	76.00	33.00	13.00	46.00
55	0550	75.00	67.00	78.00	35.00	13.00	48.00
58	0580	78.00	70.00	82.00	37.00	13.00	50.00
60	0600	80.00	72.00	85.00	38.00	13.00	51.00
65	0650	85.00	77.00	90.00	40.00	13.00	53.00
68	0680	90.00	81.00	94.00	40.00	13.00	53.00
70	0700	92.00	83.00	97.00	40.00	15.30	55.30
75	0750	97.00	88.00	102.00	40.00	15.30	55.30
80	0800	105.00	95.00	106.50	70.00	15.30	85.30
85	0850	110.00	100.00	117.00	41.00	15.70	56.70
90	0900	115.00	105.00	126.00	45.00	15.70	60.70
95	0950	120.00	110.00	130.00	46.00	15.70	61.70
100	1000	125.00	115.00	130.00	47.00	15.70	62.70

Universal robust rubber bellows seal with cup-mount seat to suit DIN seat housing sizes.

The rubber bellows design provides robust durable service for medium and heavy duty applications.

STANDARD FACE MATERIALS
Rotary Face: Carbon or Silicon Carbide.
Seat Ring: Ceramic or Silicon Carbide.
OTHER FACE MATERIALS AVAILABLE

Suggested Operating Limits

Pressure 200psi Speed 20m/s
Temperature -40 to +200°C
Limits are dependant upon shaft size, shaft speed, temperature, and media to be sealed.