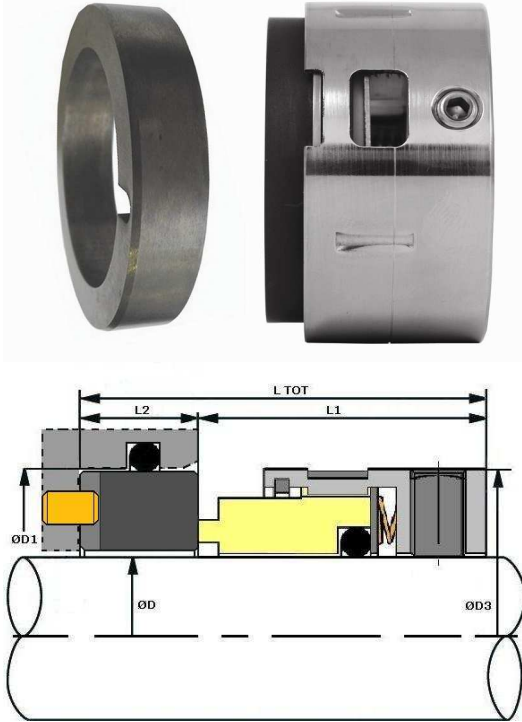




Type 1609SP

VULCAN STANDARD SIZES



Imperial Size D	Size Code	D1	D2	D3	L1	L2	L TOT
5/8"	0158	31.95	37.87	30.70	19.10	10.30	29.40
3/4"	0191	35.12	41.04	34.70	22.20	10.30	34.10
7/8"	0222	38.30	44.22	38.10	23.80	10.30	34.10
1.0"	0254	41.48	47.40	40.50	25.00	11.15	36.15
1.1/8"	0286	44.65	50.57	43.50	26.90	11.15	38.05
1.1/4"	0317	47.83	53.75	48.30	26.90	11.15	38.05
1.3/8"	0349	51.00	56.92	52.00	28.60	11.15	39.75
1.1/2"	0381	54.18	60.10	55.60	28.60	11.15	39.75
1.5/8"	0412	60.53	66.45	61.00	34.90	12.75	47.65
1.3/4"	0444	63.70	69.62	64.30	34.90	12.75	47.65
1.7/8"	0476	66.88	72.80	65.10	34.90	12.75	47.65
2.0"	0508	70.05	75.97	70.70	34.90	12.75	47.65
2.1/8"	0539	76.40	82.35	77.00	43.00	14.33	57.33
2.1/4"	0571	79.58	85.50	79.90	43.00	14.33	57.33
2.3/8"	0603	82.75	88.67	83.10	43.00	14.33	57.33
2.1/2"	0635	85.93	91.85	86.60	43.00	14.33	57.33
2.5/8"	0666	85.93	91.85	89.60	43.00	15.93	58.93
2.3/4"	0698	89.10	95.02	92.80	43.00	15.93	58.93
2.7/8"	0730	95.45	101.37	95.50	43.00	15.93	58.93
3.0"	0762	98.63	104.55	97.70	43.00	15.93	58.93
3.1/8"	0794	101.80	107.72	100.50	43.00	19.84	62.84
3.1/4"	0825	104.98	110.90	105.30	43.00	19.84	62.84
3.3/8"	0857	108.15	114.07	108.30	43.00	19.84	62.84
3.1/2"	0889	111.33	117.25	111.50	43.00	19.84	62.84
3.5/8"	0921	114.50	120.42	114.90	43.00	19.84	62.84
3.3/4"	0953	117.68	123.60	118.00	43.00	19.84	62.84
3.7/8"	0984	120.85	126.77	121.20	43.00	19.84	62.84
4.0"	1016	124.03	129.95	124.60	43.00	19.84	62.84
4.1/8"	1047	130.38	136.30	127.70	43.00	19.84	62.84
5.0"	1270	152.60	158.52	159.00	43.00	19.84	62.84
5.1/4"	1333	158.95	164.87	166.00	50.80	19.84	70.64
5.1/2"	1397	165.30	171.22	172.00	50.80	19.84	70.64

Imperial shaft size, multiple spring, un-balanced 'O'-ring mounted rotary with ring style 'O'-ring mounted seat, with the 'O'-ring mounted radially, to allow direct contact between the seat ring and the pump housing to assist with cooling. Especially suited for medium and heavy pump duties with elevated media temp.

STANDARD FACE MATERIALS

Rotary Face: M825 Carbon, RB Silicon Carbide.

Seat Ring: Q1 Silicon Carbide, Tungsten Carbide.

Suggested Operating Limits

Pressure 240psi Speed 25m/s
Temperature -100 to +200°C
Limits are dependant upon shaft size, shaft speed, temperature, and media to be sealed.